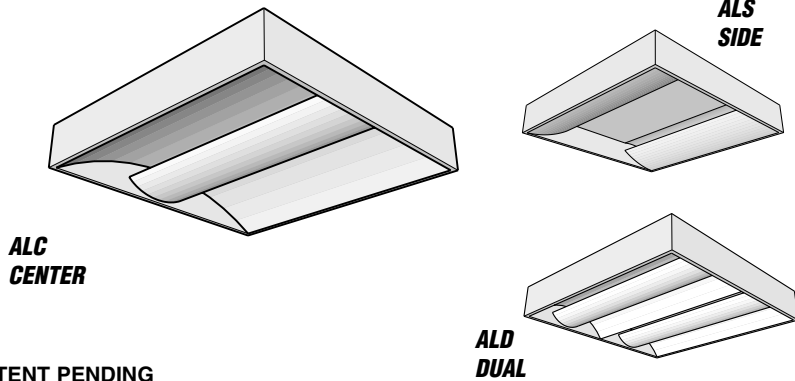


# Altus Recessed Direct/Indirect ALC, ALD, ALS 2' x 2', 2' x 4'

CATALOG NUMBER	TYPE



PATENT PENDING

## FEATURES AND BENEFITS

- 3.25" low profile housing for shallow plenums.
- Lighter and easier to handle and install.
- Exclusive adjustable 3-position basket/lamp system for customized performance, versatility, and aesthetics.
- Rigid unibody construction for strength and ease of installation.
- Architectural low-profile design projects a clean, modern look.
- All MicroPerf shields come with a diffuse, white translucent inlay for visual comfort.
- Shields are securely held in place and hinge from either side for easy lamp replacement.
- Precise optical design ensures optimal performance and distributes high quality direct/indirect light to achieve uniformity and comfort.
- Housing, reflectors and shields are post painted with a 5-stage, non-glare, high reflectance powder coat paint for performance, durability, and aesthetics.
- Built-in earthquake brackets.
- Built-in four-corner tether hanging provisions.
- Variety of basket designs.
- Ballast access from below.
- T5 rotor-lock sockets for positive lamp retention.
- TT5 Twin Tube lamp sockets with double contact construction and lamp support clips.
- Access plate for easy and convenient supply wiring.
- Completely wired electronic ballasts: Class P, Thermally Protected with auto resetting, HPF, sound rated A is standard.
- NEC compliant ballast disconnect included

**Housing:** 3-1/4" deep, die-formed code gauge steel housing with high reflectance, non-glare white powder coat finish (minimum reflectance 90%) over rust inhibiting phosphate coat. Top mounted access plate with two knockouts and ground screw. Knock outs on both ends for through wiring

**Shielding:** Post-painted white powder coat microp-erf shield with a non-glare acrylic inlay.

**Reflector:** Post-painted high reflectance, non-glare white powder coat finish (minimum reflectance 90%).

**Electrical:** Fully wired with a universal voltage 120V – 277V, 50/60Hz AC, thermally protected, automatic resetting, Class P, sound rated A, high power factor electronic ballast. 347V and 480V available. Electronic T5 or Twin Tube T5 ballast shall be Program Start, <10% THD with EOL circuitry. UL and C-UL listed.

**Mounting:** Lay-in for NEMA type G, T-bar ceilings. Optional plaster/sheetrock mounting kits available.

**Critical Application:** SIMKAR strives to offer the most current product designs and premium value. All SIMKAR products are constantly under review and subject to redesign and revision. Critical criteria such as size, operating temperature, or operation with accessories should be confirmed with the factory.

## Ordering Information

SERIES	SIZE	STYLE	LAMPS	WATTAGE/TYPE	BALLAST	VOLTAGE
ALC = Adjustable Center Perf Shield ALD = Recessed; Dual Perf Shield ALS = Recessed; Side Perf Shield	22 = 2' X 2' 24 = 2' X 4'	ALC, ALD, ALS P = Perf Shield ALC Only SP = Split Perf Shield LP = Louvered Perf Shield	2 = 2 Lamps <i>Lamps not included unless ordered</i>	<b>22 Size: 2' x 2'</b> 14T5 = 14W T5, 22" 24T5H = 24W T5HO, 22" 40TT5 = 40W TT5, 22" 50TT5 = 50W TT5, 22" <b>24 Size: 2' x 4'</b> 28T5 = 28W T5, 46" 54T5H = 54W T5HO, 46"	E = Electronic D* = Dimming CS* = Customer Supplied SP* = Specified by customer	U1 = Universal 120V - 277V 347 = 347 Volt 480 = 480 Volt

### OPTIONS

- BP = Bulk Pack, Palletized
- 35K = 3500 K Lamp Installed
- 41K = 4100 K Lamp Installed
- ELS1 = Emergency Lighting System (low lumen output)
- ELS2 = Emergency Lighting System (medium lumen output)
- ELS3 = Emergency Lighting System (high lumen output)
- FB = Fast-Blow Fusing\*
- SB = Slow-Blow Fusing\*
- BD = Ballast Disconnect connectors
- FL1 = 6' Flex and Leads; 3/8" with 2-#18 wire, one ground, one connector
- FL2 = 6' Flex and Leads; 3/8" with 3-#18 wire, one ground, one connector
- FL3 = 6' Flex and Leads; 1/2" with 3-#18 wire, one ground, one connector
- FL4 = 6' Flex and Leads; 3/8" with 2-#18 wire, one ground, two connectors
- FL5 = 6' Flex and Leads; 1/2" with 3-#18 wire, one ground, two connectors
- M/S\* = Master/Satellite

### ACCESSORIES

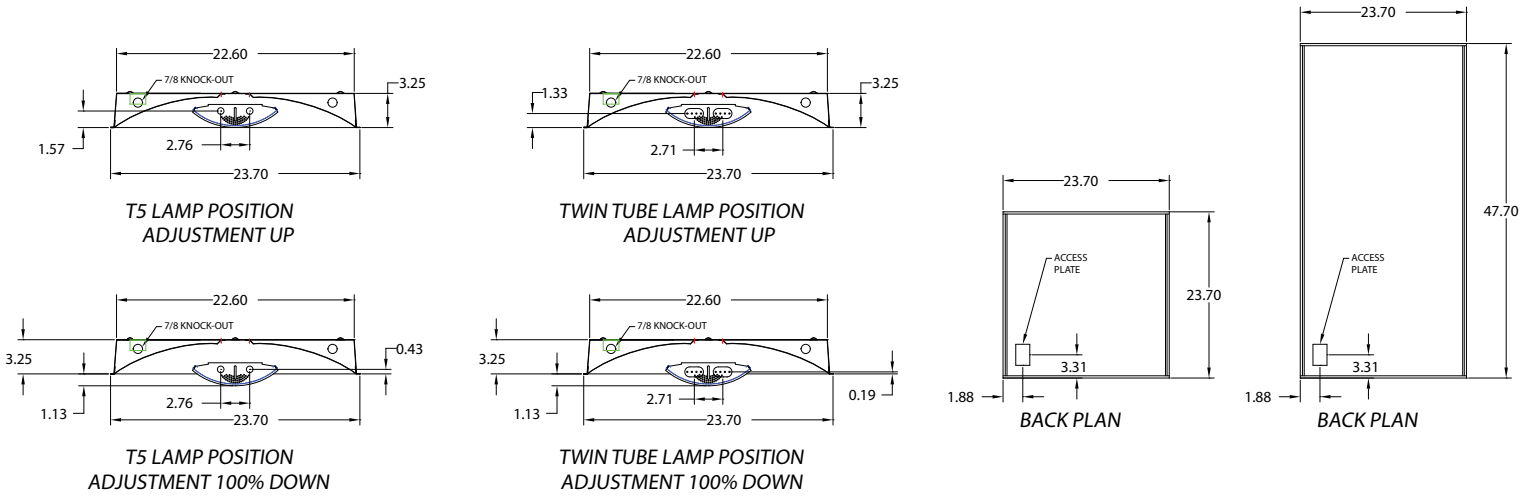
- GCK22 = Sheetrock/Plaster Grid Kit for 2'x2' units
- GCK24 = Sheetrock/Plaster Grid Kit for 2'x4' units

\* Consult Factory

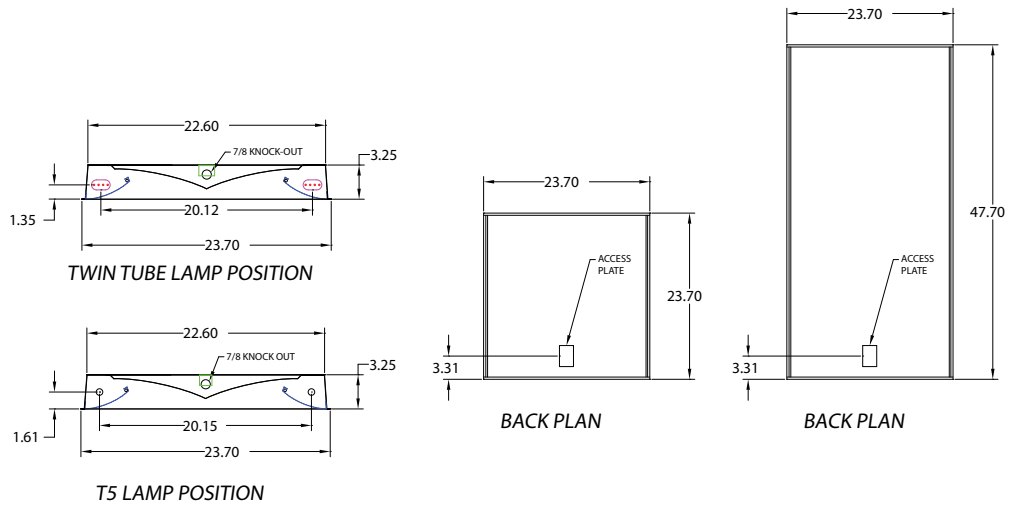


**DRAWINGS AND DIMENSIONS**

**ALC CENTER CONFIGURATION**



**ALS SIDE CONFIGURATION**



**ALD DUAL CONFIGURATION**

