



Dark Sky



DARK SKY



FIXTURE SEAL OF APPROVAL

Formed in 1988, the International Dark-Sky Association is the authoritative voice on light pollution. IDA educates lighting designers, manufacturers, technical committees, and the public about light pollution abatement. The IDA recognizes that the best way to accomplish the goal of protecting and restoring our natural night environment and our heritage of dark skies is

through promotion of quality outdoor lighting. It is in this spirit that they have developed the Fixture Seal of Approval (FSA) program for dark-sky friendly fixtures.

The Fixture Seal of Approval provides objective, third-party certification for luminaires that minimize glare, reduce light trespass, and don't pollute the night sky.

Wattage Range:
35 to 1000 W



Lamp Included

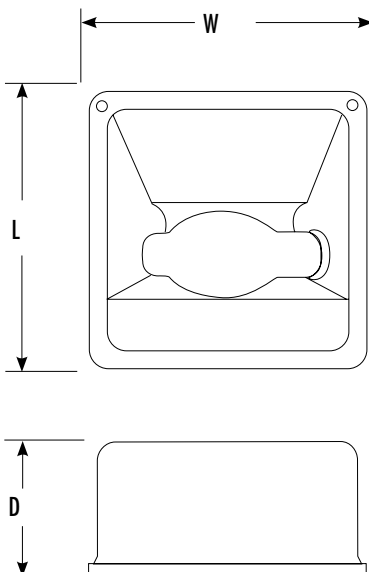
Featuring a sleek square design with rounded edges, the FF Series is offered with either a 12", 16" or 23" die cast aluminum housing.



UL Listed for Wet Locations
Consult Factory for CUL Availability

Dimensions

	Fixture Length	Fixture Width	Fixture Depth	Approx. Ship Wt.
FFS Series	12.4"	12.4"	5.25"	18 lbs.
FFM Series	16.4"	16.4"	7.0"	38 lbs.
FFL Series	23.4"	23.4"	10.25"	68 lbs.



Features

Housing

Die cast aluminum housing with flush doorframe and rounded edges are standard with bronze, black or white polyester powder topcoat. Other colors available upon request. The 16" and 23" housings can be rotated. (See Optics)

Optics

This compact Type IV forward-throw reflector has a main beam of 60°+ from vertical (30° from horizontal), providing a wide lateral distribution and improved uniformities. A supplied backlight shield permits precise cutoff adjustability. The 16" and 23" housings have mounting knockouts on three sides that allow the housing to be rotated 90 degrees either right or left.

Ballast

All fixtures come standard with a high-power factor multi-tap or 480V ballast. All units are supplied with a 36" SOW 16/3 cord. If no voltage is specified, cord is connected to highest voltage.

Lamps

- 12" housing: 35 - 175W medium base lamp
- 16" housing: 150 - 400W mogul base lamp
- 23" housing: 400 - 1000W mogul base lamps

(An ED28 lamp is standard in the 320 - 400W MH fixtures; a BT37 lamp is standard with the 1000W fixtures.)

Lens

A clear, tempered glass lens is held securely in a die cast doorframe. Complete silicon gasketing around the lens frame and at mounting points provide a watertight seal.

EPA Ratings

Because of its unique design, lower EPA levels are obtained, resulting in lower pole costs. EPA Ratings are listed on page 252.

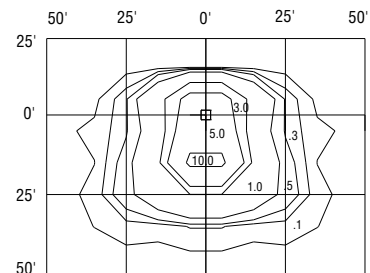
Mounting Options

Refer to page 318 for a complete description of mounting options.

Photometric Data

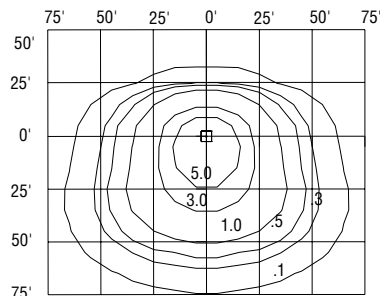
(Isofootcandle Plots)

12" FFS



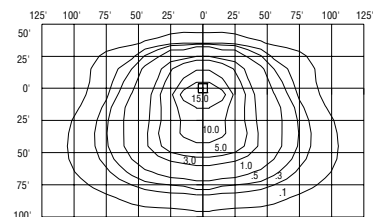
Isofootcandle plot of 175W MH Forward-Throw Floodlight at 15' mount height, 0° vertical tilt.

16" FFM



Isofootcandle plot of 400W MH Forward-Throw Floodlight at 25' mount height, 0° vertical tilt.

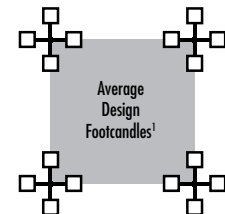
23" FFL



Isofootcandle plot of 1000W MH Forward-Throw Floodlight at 30' mount height, 0° vertical tilt.

Forward Throw Floodlight Pole Spacing Selection Guide

Lamp Type	Desired Mounting Height	Design Footcandles	Catalog Number
Metal Halide			
175W	12'	19.6	FFS8817
400W	20'	13.5	FFM8440
400W	25'	8.3	
1000W	30'	20.0	FFL8499
1000W	35'	14.5	
High-Pressure Sodium			
250W	20'	12.2	FFM8525
400W	25'	13.7	FFM8540
400W	30'	9.1	
1000W	30'	27.4	FFL8599
1000W	35'	19.8	



Criteria:
Floodlight FF Series, 0° vertical tilt
Mounting Height: 25'
Wattage: 400W
Mounting: 12" Extended Pole Mount
Pole Spacing: 4 times mounting height

¹ assuming 4 floodlights/pole

FF 12" Series Ordering Information

Series	Mounting	Light Source	Wattage, Type	Voltage
FFS = 12" Housing	8 = Without Mounting	4 = MH 5 = HPS 8 = MH/PS*	05 = 50W (MH/PS, HPS) 07 = 70W (MH/PS, HPS) 10 = 100W (MH/PS, HPS) 15 = 150W (MH/PS, HPS) 17 = 175W (MH)	1 = 120 2 = 277 3 = 208 4 = 240 5 = 480 M = Multi-Top

* MH/PS lamps must be operated in a $\pm 15^\circ$ vertical or horizontal burning position

FF 16" Series Ordering Information

Series	Mounting	Light Source	Wattage, Type	Voltage
FFM = 16" Housing	8 = Without Mounting	4 = MH 5 = HPS 8 = MH/PS*	07 = 70W (MH/PS, HPS) 10 = 100W (MH/PS, HPS) 15 = 150W (MH/PS, HPS) 17 = 175W (MH) 25 = 250W (MH, MH/PS, HPS) 32 = 320W (MH/PS) 35 = 350W (MH/PS) 40 = 400W (MH, MH/PS, HPS)	1 = 120 2 = 277 3 = 208 4 = 240 5 = 480 M = Multi-Top M5 = 5 Tap <small>120/277/208/240/480 (400W MH Only)</small>

* MH/PS lamps must be operated in a $\pm 15^\circ$ vertical or horizontal burning position

FF 23" Series Ordering Information

Series	Mounting	Light Source	Wattage, Type	Voltage
FFL = 23" Housing	8 = Without Mounting	4 = MH 5 = HPS 8 = MH/PS*	40 = 400W (MH, MH/PS, HPS) 75 = 750W (MH/PS) 99 = 1000W (MH, HPS)	1 = 120 2 = 277 3 = 208 4 = 240 5 = 480 M = Multi-Top M5 = 5 Tap <small>120/277/208/240/480 (400W and 1000W MH Only)</small>

* MH/PS lamps must be operated in a $\pm 15^\circ$ vertical or horizontal burning position

Options (Factory Installed)	Accessories (Field Installed)
<p>(x)P = Photo Control - Specify Voltage (Twist lock receptacle & matching photocell supplied.) 16" & 23" ONLY</p> <p>WT = White Housing BK = Black Housing</p> <p><u>Quartz Standby (includes Quartz Lamp)</u> Q = Quartz Standby</p> <p><u>Fusing</u> (x)F = Single - Specify voltage (x): 1 = 120V; 2 = 277V (x)J = Dual - Specify voltage (x): 3 = 208V; 4 = 240V; 5 = 480V</p> <p><i>Custom Colors Available: Consult factory for pricing and delivery.</i></p>	<p><u>12" housing</u> WG-12 = Wire Guard VS-12 = Vandal Shield</p> <p><u>16" housing</u> WG-16 = Wire Guard VS-16 = Vandal Shield</p> <p><u>23" housing</u> WG-23 = Wire Guard VS-23 = Vandal Shield</p> <p><u>Mounting</u> MA1 = 1-1/2" Close Pole Mt. MA2 = 6" Extended Pole Mt. MA3 = 2" Adjustable Slip Fitter MA4 = Yoke Mount MA4H = Yoke mount for 23" MA5 = 12" Extended Pole Mt.</p>

Mountings



1-1/2" Close Pole Mount

Ordering Code
MA1



6" Extended Pole Mount

Ordering Code
MA2



2" Adjustable Slip Fitter

Ordering Code
MA3



Yoke Mount

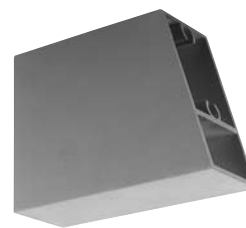
Ordering Code
MA4



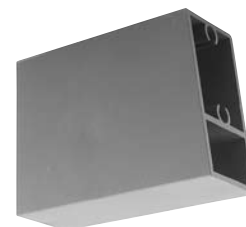
12" Extended Pole Mount

Ordering Code
MA5

10° & 20° Arms - Order Separately



MA2T10
6" Arm - 10° Tilt
MA5T10
12" Arm - 10° Tilt



MA2T20
6" Arm - 20° Tilt
MA5T20
12" Arm - 20° Tilt

Wattage Range:
35 to 1000 W



Lamp Included

The FP Series is ideally suited for roadway applications, parking areas or for building-mounted security lighting. Units feature a sleek square design with rounded edges in either a 12", 16" or 23" die cast aluminum housing.



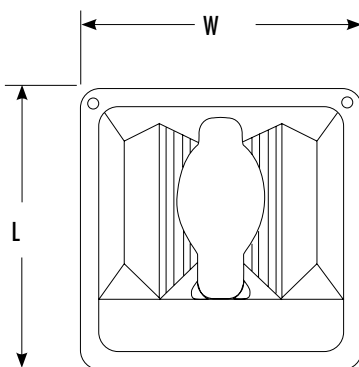
DARK SKY



Listed for Wet Locations
Consult Factory for CUL Availability

Dimensions

	Fixture Length	Fixture Width	Fixture Depth	Approx. Ship Wt.
FPS Series	12.4"	12.4"	5.25"	18 lbs.
FPM Series	16.4"	16.4"	7.0"	33 lbs.
FPL Series	23.4"	23.4"	10.25"	68 lbs.



Features

Housing

Die cast aluminum housing with flush doorframe and rounded edges are standard with bronze, black or white polyester powder topcoat. Other colors available upon request. The 16" and 23" housings can be rotated. (See Optics)

Optics

The 16" and 23" housings come standard with Type III asymmetric distribution. Ideally suited for roadway applications, parking areas or building mounted security lighting. The 16" and 23" housings have mounting knockouts on three sides that allow the housing to be rotated 90 degrees either right or left.

Ballast

All fixtures come standard with a high-power factor multi-tap or 480V ballast. All units are supplied with a 36" SOW 16/3 cord. If no voltage is specified, cord is connected to highest voltage.

Lamps

- 12" housing: 35 - 175W medium base lamp
- 16" housing: 70 - 400W mogul base lamp
- 23" housing: 750 - 1000W mogul base lamps

(Note: To increase light levels by 20%, specify a pin-oriented socket using a MS400/HOR or MS1000/HOR lamp.)

Lens

A clear, tempered glass lens is held securely in a die cast doorframe. Complete silicon gasketing around the lens frame and at mounting points provide a watertight seal.

EPA Ratings

Because of its unique design, lower EPA levels are obtained, resulting in lower pole costs. EPA Ratings are listed on page 252.

Mounting Options

Refer to page 318 for a complete description of

Parking/Roadway Floodlight Pole Spacing Selection Guide

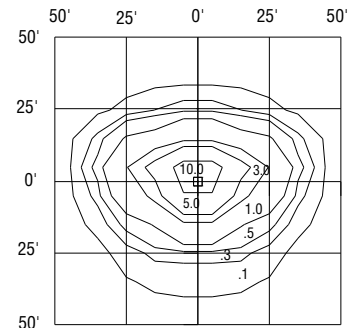
Lamp Type	Desired Mounting Height	Design Footcandles	Catalog Number
Metal Halide			
175W	12'	25.0	FPS8417
400W	20'	16.8	FPM8440
400W	25'	10.5	
1000W	30'	19.8	FPL8499
1000W	35'	14.3	
High-Pressure Sodium			
250W	20'	13.3	FPM8525
400W	25'	15.0	FPM8540
400W	30'	10.2	
1000W	30'	26.9	FPL8599
1000W	35'	19.5	

mounting options.

Photometric Data

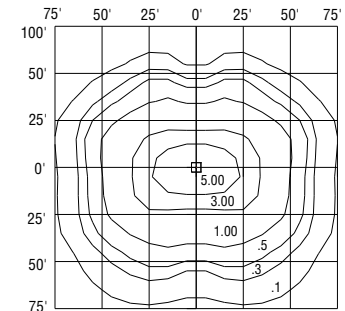
(Isofootcandle Plots)

12" FPS



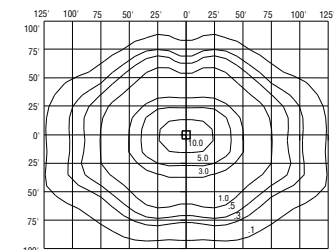
Isofootcandle plot of 175W MH Parking/Roadway Floodlight at 15' mounting height, and 0° vertical tilt.

16" FPM

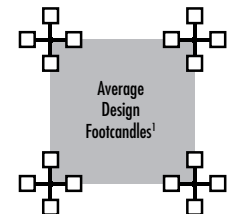


Isofootcandle plot of 400W MH Parking/Roadway Floodlight at 25' mounting height, and 0° vertical tilt.

23" FPL



Isofootcandle plot of 1000W MH Forward-Throw Luminaire at 30' mount height, 0° vertical tilt.



Criteria:
Floodlight FP Series, 0° vertical tilt
Mounting Height: 30'
Wattage: 400W
Mounting: 12" Extended Pole Mount
Pole Spacing: 4 times mounting height

¹ assuming 4 floodlights/pole

FP 12" Series Ordering Information

Series	Mounting	Light Source	Wattage, Type	Voltage
FPS = 12" Housing	8 = Without Mounting	4 = MH 5 = HPS 8 = MH/PS*	05 = 50W (MH/PS, HPS) 07 = 70W (MH/PS, HPS) 10 = 100W (MH/PS, HPS) 15 = 150W (MH/PS, HPS) 17 = 175W (MH)	1 = 120 2 = 277 3 = 208 4 = 240 5 = 480 M = Multi-Top

* MH/PS lamps must be operated in a $\pm 15^\circ$ vertical or horizontal burning position

FP 16" Series Ordering Information

Series	Mounting	Light Source	Wattage, Type	Voltage
FPM = 16" Housing	8 = Without Mounting	4 = MH 5 = HPS 8 = MH/PS*	07 = 70W (MH/PS, HPS) 10 = 100W (MH/PS, HPS) 15 = 150W (MH/PS, HPS) 17 = 175W (MH) 25 = 250W (MH, MH/PS, HPS) 32 = 320W (MH/PS) 35 = 350W (MH/PS) 40 = 400W (MH, MH/PS, HPS)	1 = 120 2 = 277 3 = 208 4 = 240 5 = 480 M = Multi-Top M5 = 5 Tap <small>120/277/208/240/480 (400W MH Only)</small>

* MH/PS lamps must be operated in a $\pm 15^\circ$ vertical or horizontal burning position

FP 23" Series Ordering Information

Series	Mounting	Light Source	Wattage, Type	Voltage
FPL = 23" Housing	8 = Without Mounting	4 = MH 5 = HPS 8 = MH/PS*	40 = 400W (MH, MH/PS, HPS) 75 = 750W (MH/PS) 99 = 1000W (MH, HPS)	1 = 120 2 = 277 3 = 208 4 = 240 5 = 480 M = Multi-Top M5 = 5 Tap <small>120/277/208/240/480 (400W and 1000W MH Only)</small>

* MH/PS lamps must be operated in a $\pm 15^\circ$ vertical or horizontal burning position

Mountings



1-1/2" Close Pole Mount

Ordering Code
MA1



6" Extended Pole Mount

Ordering Code
MA2



12" Extended Pole Mount

Ordering Code
MA5



Wishbone Mount

See Accessories for Code

Options (Factory Installed)	Accessories (Field Installed)
<p>(x)P = Photo Control - Specify Voltage (Twist lock receptacle & matching photocell supplied.) 16" & 23" ONLY</p> <p>WT = White Housing BK = Black Housing</p> <p><u>Fusing</u> (x)F = Single - Specify voltage (x): 1 = 120V; 2 = 277V (x)J = Dual - Specify voltage (x): 3 = 208V; 4 = 240V; 5 = 480V</p> <p><u>Quartz Standby (includes Quartz Lamp)</u> Q = Quartz Standby</p> <p><i>Custom Colors Available: Consult factory for pricing and delivery.</i></p>	<p><u>12" housing</u> WG-12 = Wire Guard VS-12 = Vandal Shield</p> <p><u>16" housing</u> WG-16 = Wire Guard VS-16 = Vandal Shield WBR16¹ = Wishbone Mount for 4" Round Pole WBS16¹ = Wishbone Mount for 4" Square Pole</p> <p><u>23" housing</u> WG-23 = Wire Guard VS-23 = Vandal Shield WBR23¹ = Wishbone Mount for 4" Round Pole WBS23¹ = Wishbone Mount for 4" Square Pole</p> <p><u>Mounting</u> MA1 = 1-1/2" Close Pole Mt. MA2 = 6" Extended Pole Mt. MA5 = 12" Extended Pole Mt.</p> <p>¹ See page 247 for restrictions.</p>

Wattage Range:
100W and 175 MH
150W HPS



Lamp Included

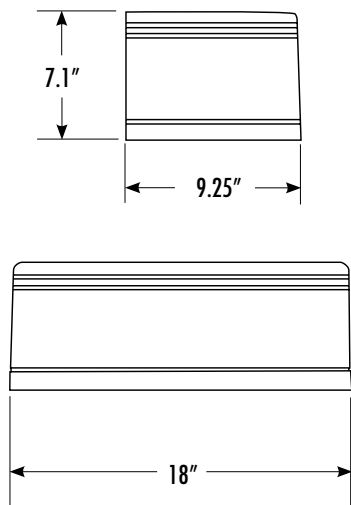
This crescent-shaped, surface mount wallpack is ideal for parking areas, entrances, walkways, underpasses, loading docks, recreation areas and tunnels.



UL Listed for Wet Locations
Consult Factory for CUL Availability

Dimensions

	Fixture Height	Fixture Width	Fixture Depth	Approx. Ship Wt.
WCM Series	7.1"	18"	9.25"	12.87 lbs.



Features

Housing

Heavy-duty die cast aluminum housing is powder-coated in a dark architectural bronze color. Silicone rubber prevents any leakage due to outside elements.

Ballast

The 175W MH version is furnished with a high power factor, constant wattage multi-tap ballast. The 100W MH and 150W HPS versions are furnished with a high power factor, high reactance multi-tap ballast.

Lamps

Fixtures are supplied with medium base lamps.

Reflector

One-piece anodized aluminum designed reflector for best light efficiency.

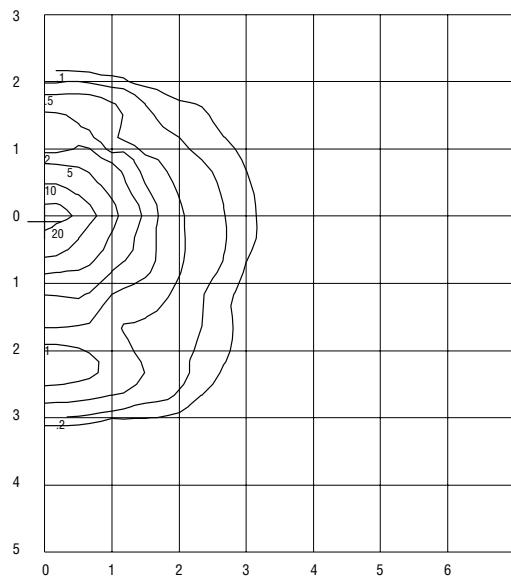
Mounting Options

The WCM series wallpack is easy to install directly to a 4" recessed outlet box or 1/2" surface conduit into a 1/2" threaded bushing. Remove the two mounting screws from the fixture (see 'A', page 69). Gently pull the mounting plate with gasket from the housing (B) and install to the mounting surface utilizing the built-in level bubble (C). Mount the fixture to the plate (D) and reinstall the mounting screws (E).

Photometric Data

(Isofootcandle Plots)

18" WCM



Distance in Units of Mounting Height
Values Based On 10 Foot Mounting Height
1/2 Maximum Candela Trace Shown as Dashed Curve
(+) = Maximum Candela Point
Cat. # WCM0417-M

WCM Series Ordering Information

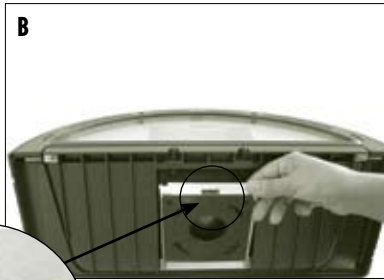
Mounting Position	Wattage Lamp	Catalog Number
	☼ 100 watt MH/PS	WCM0810-M*
Wall	175 watt MH	WCM0417-M*
	150 watt HPS	WCM0515-M*

*Multi-tap tapped @277V

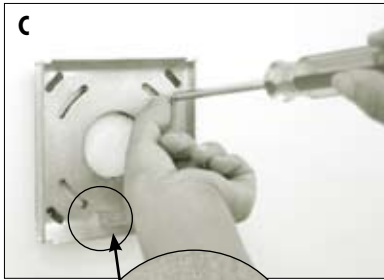
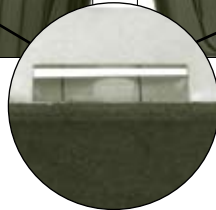
WCM Mounting Procedure



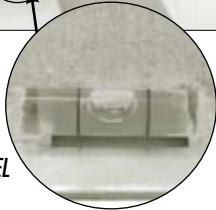
A
Remove mounting screws from fixture



B
Gently pull the mounting plate and gasket from the housing



C
Install plate to the mounting surface utilizing the integrated level



INTEGRATED LEVEL



D
Connect wires and mount fixture to the plate



E
Reinstall mounting screws

Wattage Range:
WFM 26 - 175W
WFL 64 - 400W



Lamp Included

The **WFM/WFL** Series Wallpacks offer a wide light distribution with controlled light spillage.



DARK SKY

40°C Ambient Rated

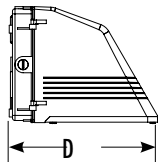
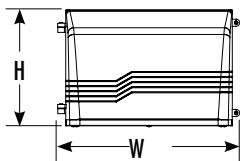


Listed for Wet Locations
Consult Factory for CUL Availability

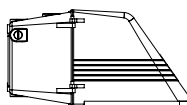
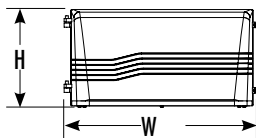
Dimensions

	Fixture Height	Fixture Width	Fixture Depth	Approx. Ship Wt.
WFM Series	9"	13"	11.5"	15 lbs.
WFL Series	9"	18"	17.2"	26 lbs.

WFM Series



WFL Series



Features

Housing

The bronze die-cast aluminum housing, thick prismatic glass refractor and stainless steel hardware together make the WFM & WFL Series Full Cutoff Wallpacks resistant to both weather and vandalism. Dark sky compliant when mounted in down position.

Ballast

The metal halide WFM Wallpack utilizes a multi-tap HX or CWA HPF ballast. HPS fixtures can be ordered with a multi-tap HX HPF ballast as an option. 120V ballasts use reactor NPF ballasts. All sizes of the WFL Wallpacks are supplied with a CWA HPF multi-tap or 480V ballast. CFL fixtures include 120/277V electronic ballasts.

Lamps

The WFM luminaire uses a medium base metal halide lamp (50 - 175W) or a medium base HPS lamp (50 - 150W). The WFL luminaire uses mogul base, metal halide lamps (175 - 400W) and HPS (250-400W) lamps. (Note: To increase light levels by 20%, specify a position-oriented socket using a MS400/HOR.) CFL Fixtures include 4-pin quad lamps.

Lens

Both the door and prismatic glass lens utilize weatherproof silicone gasketing to seal out contaminants.

Access / Wiring

The side-hinged door opens easily using two captive stainless steel screws to provide easy access to internal components. Wiring options include mounting over a 4" recessed junction box or surface mounting using convenient conduit entries located on side and bottom of fixture. Additional knockouts are provided for optional photocell.

Mounting Options

The recommended wall mounting height of the WFM Wallpack is 12' to 18'. The recommended wall mounting height of the WFL Series is 18' to 24'. Units include rear 1/2" conduit holes access with drill points for mounting.

W Series Wallpack Ordering Information

Series	Wattage Lamp	Catalog Number
WFM Series 13" Wallpack		
Wall	Ⓜ 50W MH/PS	WFM0805-M*(b)
	Ⓜ 70W MH/PS	WFM0807-M*(b)
	Ⓜ 100W MH/PS	WFM0810-M*(b)
	Ⓜ 150W MH/PS	WFM0815-M*(b)
	175W MH	WFM0417-M*(b)
	175W MH (MOGUL)	WFM9417-M*(b)
	50W HPS 120V (NPF)	WFM0505-1*(b) NPF
	50W HPS	WFM0505-(a)(b)
	70W HPS 120V (NPF)	WFM0507-1*(b) NPF
	70W HPS	WFM0507-(a)(b)
	100W HPS 120V (NPF)	WFM0510-1*(b) NPF
	100W HPS	WFM0510-(a)(b)
	150W HPS 120V (NPF)	WFM0515-1*(b) NPF
	150W HPS	WFM0515-M*(b)
	Ⓜ (2) 26W CFL	WFM0352-D*
	Ⓜ (2) 32W CFL	WFM0364-D*
	Ⓜ (2) 42W CFL	WFM0384-D*
WFL Series 18" Wallpack		
Wall	175W MH	WFL0417-(a)(b)
	Ⓜ 200W MH/PS	WFL0820-(a)(b)
	250W MH	WFL0425-(a)(b)
	Ⓜ 250W MH/PS	WFL0825-(a)(b)
	Ⓜ 320W MH/PS	WFL0832-(a)(b)
	Ⓜ 350W MH/PS	WFL0835-(a)(b)
	400W MH	WFL0440-(a)(b)
	Ⓜ 400W MH/PS	WFL0840-(a)(b)
	400W MS/HOR	WFL0740-(a)(b)
	Position-oriented socket	
	250W HPS	WFL0525-(a)(b)
	400W HPS	WFL0540-(a)(b)
	Ⓜ (2) 32W CFL	WFL0364-D*
Ⓜ (2) 42W CFL	WFL0384-D*	

*See Voltage below

Voltage (a)	Options (b) (Factory Installed)
1 = 120V 2 = 277V 3 = 208V 4 = 240V 5 = 480V (150W and above only) M = Multi-tap; tapped @ 277V D = Dual-tap 120/277V (CFL only)	HPF = High Power Factor (HPS 120V only - change NPF to HPF) WT = White Housing BK = Black Housing B = Button Photocell (Must designate voltage - change M to "1" for 120 V or "2" for 277 V)

Wattage Range:
50 - 400W



Lamp Included

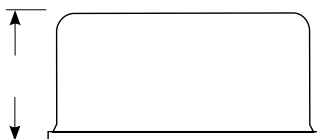
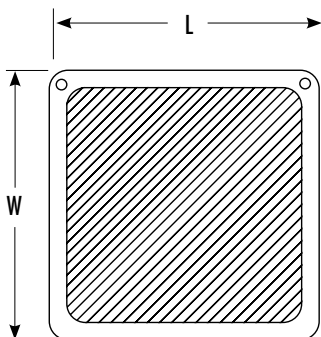
Ideally suited for indoor parking areas, canopies or walkways with a mounting height above 15'. Also ideal for building-mounted security lighting.



 Listed for Wet Locations
Consult Factory for CUL Availability

Dimensions

	Fixture Length	Fixture Width	Fixture Depth	Approx. Ship Wt.
CFS Series	12.4"	12.4"	5.25"	18 lbs.
CFM Series	16.4"	16.4"	7.0"	32 lbs.



Features

Housing

The seamless, die cast aluminum housing is standard with a weather-resistant bronze polyester powder topcoat. The doorframe fits flush with the housing. Complete silicon gasketing between door and housing provides a watertight seal. Removable hinged door supports easy maintenance.

Ballast

All fixtures are standard with high-power factor multi-tap or 480V ballasts.

Lamps

The M Series utilizes mogul base lamps. To increase light levels by 20%, specify a position-oriented socket using an MS400/HOR lamp. The CFS utilizes medium base lamps.

Lens

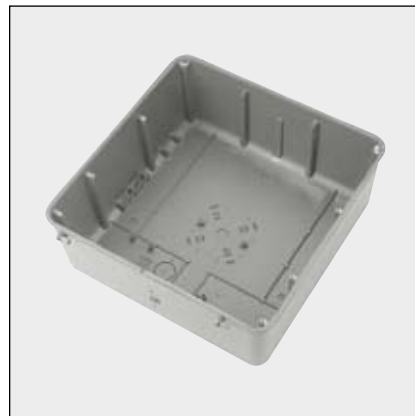
All CF Series fixtures are supplied with C73 prismatic glass for ideal performance and light distribution.

Optics

The CF Series reflector comes standard with hammertone aluminum optics.

Wiring

A knockout is located in the ballast compartment of the CFM housing. Additional knockouts are located on the sidewalls of the CFM housing. The CFS housing has multiple knockouts for mounting to junction boxes.



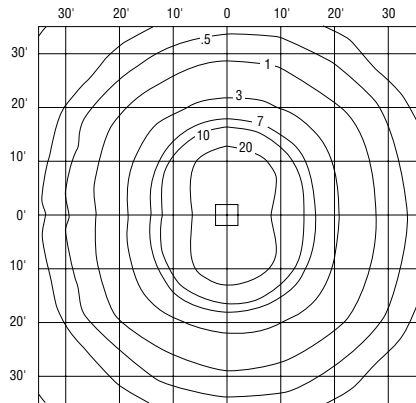
Mounting Options

Three knockouts located in the base of the cast aluminum housing are provided to mount the fixture to steel, concrete ceiling or canopy. Not suitable for mounting to ceilings with combustible material.

Photometric Data

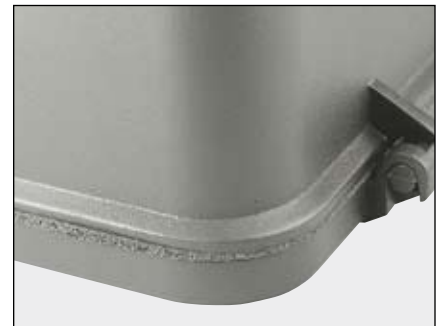
(Isofootcandle Plots)

CF



400W MH CF Series at 15' mounting height.

Special Gasket and Knockout features on the Canopy Fixtures make for easy adaptability and fixture placement.



CF Series Canopy Fixture Ordering Information

Housing Size (sq.)	Wattage Lamp	Catalog Number
12"	☉ 50W MH/PS	CFS0805-(a)(b)
	☉ 70W MH/PS	CFS0807-(a)(b)
	☉ 100W MH/PS	CFS0810-(a)(b)
	☉ 150W MH/PS	CFS0815-(a)(b)
	175W MH	CFS0417-(a)(b)
	50W HPS	CFS0505-(a)(b)
	70W HPS	CFS0507-(a)(b)
	100W HPS	CFS0510-(a)(b)
	150W HPS	CFS0515-(a)(b)
	16"	175W MH
☉ 200W MH/PS		CFM0820-(a)(b)
250W MH		CFM0425-(a)(b)
☉ 250W MH/PS		CFM0825-(a)(b)
☉ 320W MH/PS		CFM0832-(a)(b)
☉ 350W MH/PS		CFM0835-(a)(b)
400W MH		CFM0440-(a)(b)
☉ 400W MH/PS		CFM0840-(a)(b)
400W MS/HOR		CFM0740-(a)(b)
70W HPS		CFM0507-(a)(b)
100W HPS	CFM0510-(a)(b)	
150W HPS	CFM0515-(a)(b)	
250W HPS	CFM0525-(a)(b)	
400W HPS	CFM0540-(a)(b)	

Note: Not suitable for mounting to ceilings with combustible material.

Mountings



Ceiling Mount

Accessories



Wire Guard

Ordering Code
12": WG-12

16": WG-16



Vandal Shield

Ordering Code
12": VS-12

16": VS-16

Voltage (a)	Options (b) (Factory Installed)	Accessories: (Field-Installed)
1 = 120V 2 = 277V 3 = 208V 4 = 240V 5 = 480V M = Multi-tap tapped @ 277V	<p>Fusing</p> <p>(x)F = Single - Specify voltage (x): 1 = 120V; 2 = 277V</p> <p>(x)J = Dual - Specify voltage (x): 3 = 208V; 4 = 240V; 5 = 480V</p> <p>Q = Quartz Standby (Includes Q lamp) Non delay-relay type</p> <p>WT = White Housing (Custom Colors Available: Consult factory for pricing and delivery.)</p> <p>Note: HID wattage must be higher than quartz standby wattage.</p>	<p>WG-12 = 12" Wire Guard</p> <p>VS-12 = 12" Vandal Shield</p> <p>WG-16 = 16" Wire Guard</p> <p>VS-16 = 16" Vandal Shield</p>