

Parking Guard
Parking structure lighting

CATALOG NUMBER _____
 TYPE _____
 DATE _____
 PREPARED BY _____
 PROJECT _____



HOUSING: 1-piece, custom reinforced thermal-set polyester that is corrosion proof and will withstand extreme abuse and neglect. Housing material is UL 5VA and f1 rated. Gasket is seamless, custom formulated foam-in-place, urethane gasket, chemically attached to the housing and robotically applied to ensure consistency, accuracy, and reliability. 2' unit are IP65 rated for dust-free and wash down; 4' and 8' units are IP67 rated for dust-free and water-free ingress protection (temporary submersion for 30 minutes).

ELECTRICAL: T8 and HPT8 technology: Ballast is electronic, Instant Start, fully wired with quick-disconnect device: Universal voltage 120 – 277VAC, 50/60Hz, Starting temperature 0° F (-18°C), < 15% THD, High-Power Factor, Thermally protected, Automatic resetting, Class P, Sound rating A.

T5 and T5H0 technology: Ballast is electronic Program Start, fully wired with quick-disconnect device: Universal voltage 120 – 277VAC, 50/60Hz, Starting temperature 0° F (-18°C), < 15% and < 20% THD, High-Power Factor, Thermally protected, Automatic resetting, Class P, Sound rating A.

OPTICS: Reflector is die-formed, heavy gauge 85% reflective aluminum or Miro 4™ specular aluminum with 95% reflectivity. 2' Lens is clear, ribbed, UV stabilized Polycarbonate; 4' Lens is injection molded clear, ribbed, UV stabilized Polycarbonate or 100% High Impact Acrylic; 8' lens is injection molded clear, ribbed, 100% High Impact Acrylic engineered for superior strength, ease of cleaning, and optical uniformity. All lenses use f1 rated material.

PGS uses a flat pan type reflector behind the lamps for general illumination.

PGW incorporates a computer designed center reflector to project light in two directions.

PGA fixtures use a single lamp and reflector to project light in one direction.

MOUNTING/LATCHING: Surface, ceiling, or wall capable. Optional stainless steel brackets or swivel brackets available without drilling into the housing. Safety strap included. Lens Latches are tool-free UV stabilized Polycarbonate, positive lock over-center design, tamper-proof ready. Optional Stainless Steel Latches (SSL) available. Tamper-proof screws are available for stainless steel latches.

CERTIFICATIONS: Ballast: UL, CSA. Luminaire: UL Wet Location, IP65 (2' unit), IP67 (4' and 8' units), UL-cUL Recognized Components; NSF Certified for Splash Zone Areas.

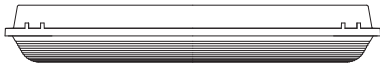
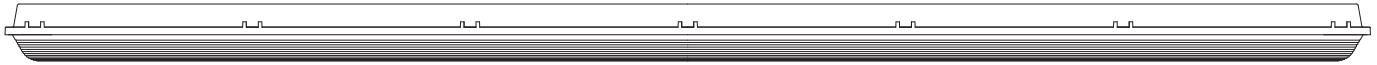
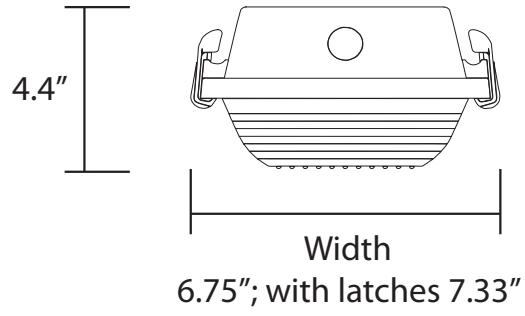
Parking Guard Ordering Information

Series	Distribution	Size	Lens	Reflector	# Lamps	Lamp Type
PG	S = Standard	2 = 2'	2' size	SR = Silver Aluminum Reflector	PGS	T5
	W = Wide	4 = 4'	RP = Ribbed Polycarbonate vacuum formed lens	M4 = Miro 4	1	14T5 = 14 watt T5, 2' unit
	A = Assymetric	8 = 8'	4' size		2	24T5H = 24 watt T5H0, 2' unit
			RP = Ribbed Polycarbonate injection molded lens		3	28T5 = 28 watt T5, 4' unit or 8' Tandem
			RA = Ribbed acrylic injection molded lens. 100% High impact acrylic		2T = 2 lamps Tandem (8' fixtures)	54T5H = 54 watt T5H04 unit or 8' Tandem not available with 3 lamps or 6T Tandem
			8' size		4T = 4 lamps Tandem (8' fixtures)	
			RA = Ribbed acrylic injection molded lens. 100% High impact acrylic		6T = 6 lamps Tandem (8' fixtures)	
					PGW	T8
					2	17T8 = 17 watt T8, 2' unit
					4T = 4 lamps Tandem (8' fixtures)	32T8 = 32 watt T8, 4' unit or 8' Tandem
					PGA	32HP8 = 32 watt HPT8, 4' unit or 8' Tandem
					1	86T8H = 86 watt T8H0, F96, 8' unit (not available with 3 lamps)
					2T = 2 lamps Tandem (8' fixtures)	

Ballast	Switching	Voltage	Options	Accessories
E = Electronic	For 2 lamp units	U1 = 120V - 277V	BP = Bulk Pack	ENTS = Tamperproof Screws
E(x)* = Electronic HPT8*	Blank = single ballast	U3 = 347V - 480V	ELS1 = Emergency Lighting (low lumens)	ENTSD = Screw Driver for Tamperproof Screws
D = Dimming**	2/1L = (2) 1-lamp ballasts	347 = 347V	ELS2 = Emergency Lighting (medium lumens)	EN2MB = 2 Stainless Steel Mounting Brackets
DH = Daylight Harvesting (T8 only)**	For 3 lamp units	480 = 480V	ELS3 = Emergency Lighting (high lumens)	EN2SMB = 2 Swivel Mounting Brackets**
*Specify (L)Low, (N)Normal, or (High)	Blank = (1) 3-lamp ballast		Note: PGS fixtures require "damp location" emergency ballasts	WLH = 1 Wet Location Conduit Hub for 1/2"
	1L/2L = (1) 1-lamp ballast and (1) 2 lamp ballast		COH = 3/4" Conduit Hub Installed. (2 required on 8' unit)**	
	For 4 lamp units		SSL = Stainless Steel Latches	
	Blank = (2) 2-lamp ballasts		OS(x) = Individual Fixture PIR Occupancy Sensor; (specify number of lamps controlled: 1, 2, 3, 4, 5, or 6)**	Pendant mounting systems available. Please contact Simkar to discuss your application needs and product availability.
	4L = (1) 4-lamp ballast		CP3 = Cord & Plug - 120V straight blade with 6' cord.**	
	For 6 lamp Tandem units		CPT(xx) = Cord and plug Twist-Lock with 6' cord; (Specify Voltage: 12 = 120V, 20 = 208V, 24 = 240V, 27 = 277V, 34 = 347V, or 48 = 480V)**	
	2/3L = (2) 3-lamp ballasts			
	2L/4L = (1) 2-lamp ballast and (1) 4-lamp ballast			
			FB = Lay-in Fast Blow Fusing	
			SB = Lay-in Slow Blow Fusing	
			Lamps Installed (specify)	

** Damp Location

Dimensions



2'; 27.68"

4'; 51.65"

8'; 100"

Lengths, nominal; actual