

# RFF/RFI INSTALLATION INSTRUCTIONS

## RFI4 and RFF4 Installation

Read all warnings and directions before installation.

**WARNING** Risk of fire or electric shock. Reflector Kit installation requires knowledge of fluorescent luminaires and electrical systems. If not qualified, do not attempt installation. Contact a qualified electrician.

**WARNING** Luminaire wiring, ballast, or other electrical parts may be damaged when drilling for end cap installation. Check for exposed wiring components and avoid contact with screws or sharp sheet metal.

**WARNING** Install this kit only in the luminaires that have the features and dimensions described in the specification sheets and/or drawings.

**CAUTION** – Do not alter the kit parts. Do not leave open holes in the wiring enclosure or leave electrical components exposed.

LUMINAIRE APPLICABILITY: RFI and RFF 4' flush, pendant or chain mounted strip luminaires. Note: Reflector serves as a ballast cover on RFI, original ballast cover will not be reused.

### PARTS LIST

1. 2 Universal End Brackets
2. 4x Self Tapping Screws
3. 1 Reflector (RFI) or ballast cover (RFF)
4. 2 (2 lamp) or 4 (1 lamp) Quarter-turn fasteners
5. 2(1 lamp) or 4 (2 lamp) sockets.

Tools needed: Screwdriver, pliers, wire cutters

### Installation: FIXTURE PREPARATION

**Turn off power** to the fixture

1. Remove lamps, ballast pan, ballast and socket brackets as shown in Diagram 1.
2. Install ballast and connect to sockets according to ballast manufacturer's specifications.
3. Place sockets in ends as shown in Diagram 2 (fig. 1).
4. Universal End Bracket must be mounted firmly against the end of luminaire to ensure that the socket remains in bracket.
5. Insert screws through pre-punched slots in universal end bracket and into the fixture to secure bracket to luminaire.(Any two matching holes may be used) (fig. 1).
6. Repeat steps 5 and 6 for the other universal end bracket.

### REFLECTOR/BALLAST COVER INSTALLATION

**CAUTION:** To prevent scratching surface of reflector, do not peel reflector's protective film until installation is complete.

1. Peel back about one inch of the protective film from each end of the reflector. This will facilitate removal of the protective film in step 3 below.
2. Install reflector/ballast cover by aligning holes in reflector over bracket slots and then insert quarter turn fasteners through the reflector. Note: two lamps in cross section require one fastener in the center and one lamp requires two fasteners mounted as not to interfere with the lamps.
3. Tighten by squeezing with pliers and a quarter turn either direction to secure the reflector/ballast cover to the bracket (figure 2).
4. Peel protective film from reflector.
5. Install lamps making sure to properly seat them into the sockets.

Turn power **ON**

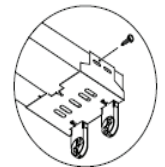
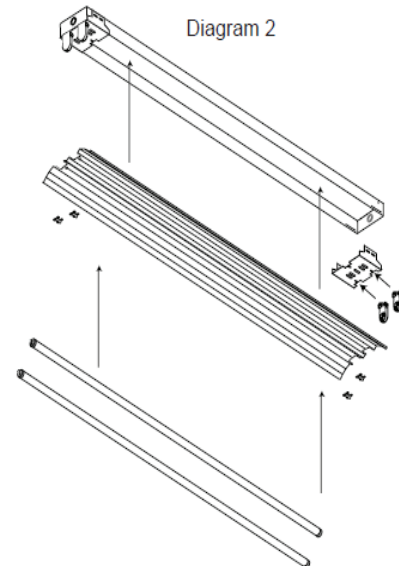
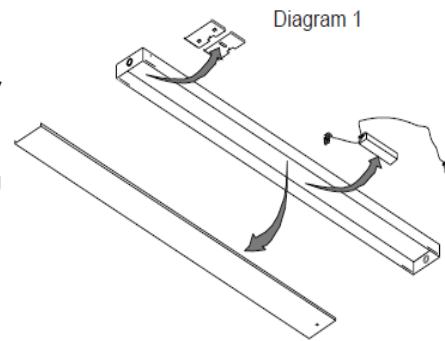


Figure 1

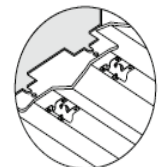


Figure 2