

RFL 3-LAMP INSTALLATION INSTRUCTIONS

READ INSTRUCTIONS BEFORE BEGINNING INSTALLATION

WARNING - Risk of fire or electric shock. Reflector Kit installation requires knowledge of fluorescent lighting luminaires electrical systems. If not qualified, do not attempt installation. Contact a qualified electrician.

WARNING - Risk of fire or electric shock. Luminaire wiring, ballast, or other electrical parts may be damaged when drilling for installation or reflector kit hardware. Check for enclosed wiring and components.

WARNING - To prevent wiring damaged or abrasion, do not expose wiring to edges of sheet metal or other sharp objects.

WARNING - Risk of fire or electric shock. Install this kit only in the luminaires that have the construction features and dimensions shown in the photographs and/or drawings.

CAUTION - Do not leave open holes in an enclosure of wiring or electrical components.

CAUTION - Do not make or alter any open holes in an enclosure of wiring or electrical components during kit installation.

LUMINAIRE APPLICABILITY: This RFL reflector kit fits most indoor ceiling recessed and surface mount 2x2 and 2x4 luminaires originally containing 2,3 or 4 lamps and converts them to 3 lamps. Minimum luminaire depth of 3 inches is required.

To assure Best Performance louvers or lenses should be thoroughly cleaned or replaced

PARTS LIST

1. (2) Recentering socket Brackets
2. (6) Self Tapping Screws
3. (1) One piece Reflector
4. (6) Quarter-turn fasteners

Tools Needed: Screw drivers Wire cutters Pliers

TURN OFF POWER TO FIXTURE

FIXTURE PREPARATION

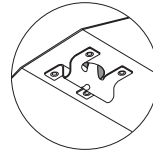
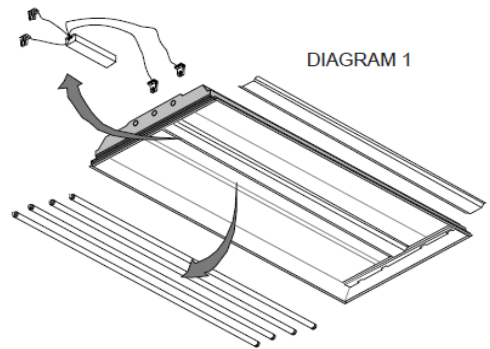
1. Remove lamps, ballast pan, ballast and socket brackets. (Diagram 1)
2. Install ballast so it will be between lamps, aligned with arch in the socket bracket and connect sockets according to ballast manufacture's specifications.
3. Place sockets in brackets.
4. Position socket wires through archway on same side of bracket as the ballast in the luminaire.
5. To ensure proper lamp alignment, socket bracket must be centered in the luminaire.
6. Bracket must be mounted firmly against the ends of the luminaire to ensure that sockets remains in bracket. Be sure not to pinch the wires.
7. Insert and tighten screws into pre-punched slots in recentering bracket to secure bracket to luminaire. (Any two matching holes may be used)
8. Repeat above process for the other recentering bracket.

REFLECTOR INSTALLATION

CAUTION: To prevent scratching surface, do not peel reflector's protective film until installation is complete.

1. Peel back about one inch of the protective film from each end of the reflector. This will facilitate removal of the protective film in step 3 below.
2. Install reflector by aligning holes in reflector over bracket slots and inserting quarter turn fasteners through the reflector and bracket, tighten with a quarter turn either clockwise or counter-clockwise to secure the reflector to the bracket.
3. Peel protective film from reflector.
4. Install lamps making sure to properly seat them into the sockets.
5. Re-attach cleaned door or louver.

TURN ON POWER



Reflector connects to brackets with quarter-turn fasteners included in kit

