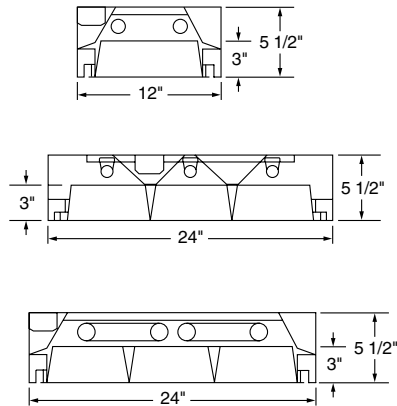




**SEP Surface Parabolic** is the solution for spaces where recessed units cannot be used. The SEP is ideal for retail or commercial environments, providing a touch of character and style.

**Dimensions**



**Housing**

Die-formed heavy gauge steel with high-gloss, baked white post-painted enamel finish over rust inhibiting phosphate coat. Optional KOs available for continuous row mounting.

**Shielding**

Uniform low brightness in 60°-90° zone achieved with 3" deep low iridescence, anodized semi-specular aluminum parabolic louver. Hinged louver also available in white and gold.

**Electrical**

Fully wired for UNV 120-277V, 50-60Hz operation with thermally protected, automatic resetting Class P, sound rated A ballast as standard unless otherwise specified. UL listed.

**Mounting**

Surface mount. Four stems required for suspension mounting.

**SEP Ordering Information**

Series	Size	# Lamps	Lamp Type	Cell Configuration	Louver Finish
SEP	124 = 1 x 4	2	14 = 14W 24" T5	8C = (1 x 4) 1 row of 8	G = Gold
	242 = 2 x 2	3	17 = 17W 24" T8	9C = (2 x 2) 3 rows of 3	S = Specular Aluminum
	244 = 2 x 4	4	32 = 32W 48" T8 32U = 32W U6" T8* 40TT = 40W 22" TT	12C = (2 x 4) 2 rows of 6 18C = (2 x 4) 3 rows of 6 24C3X8 = 2x4 (3 rows of 8) 24C4X6 = 2x4 (4 rows of 6) 32C = (2 x 4) 4 rows of 8	W = White

\*For 1 5/8" please specify; required for 3 lamp 32U.

Options	Ballast	Switching	Voltage
ELS1 = Emergency Lighting (low lumens)	B11 = Electronic T8	For 3 and 4 lamp units Blank = dual ballasts	UNV = 120-277V
ELS2 = Emergency Lighting (medium lumens)	B11HP(x) = HPT8*	3L = (1) 3-lamp ballast	120 = 120V
ELS3 = Emergency Lighting (high lumens)	B14 = Electronic TT	4L = (1) 4-lamp ballast	277 = 277V
		For 2 lamp units Blank = single ballast	
		2/TL = (2) 1-lamp ballasts	

\*CEE listed T8; specify (L)ow, (N)ormal, or (H)igh ballast factor. Contact factory for NEMA Premium.

Options
L = Lamps Installed (Specify Lamps)
SR = Specular reflector