

**SY920 Low Profile Wraparound** utilizes a shallow 3 1/4" housing. Self-spacing unit is suitable for low-density cellulose fiberboard ceilings.



**Housing**

Die-formed heavy gauge steel with high-gloss, baked white enamel finish over rust inhibiting phosphate coat. Standard white ends are injection molded. Knockouts provided.

**Shielding**

Clear DR acrylic prismatic lens; smooth white also available. Lens hinges from either side.

**Electrical**

Fully wired for UNV 120-277V, 50-60Hz operation with thermally protected, automatic resetting Class P, sound rated A ballast as standard unless otherwise specified. UL listed damp location.

**Mounting**

Ceiling surface mount individual or continuous row (with CR bands). Only one CR band supplied with every tandem unit. For continuous row mounting, additional CR bands are needed. Tandem two-lamp model available. Use stabilizer bracket kit for four-lamp pendant hung models.

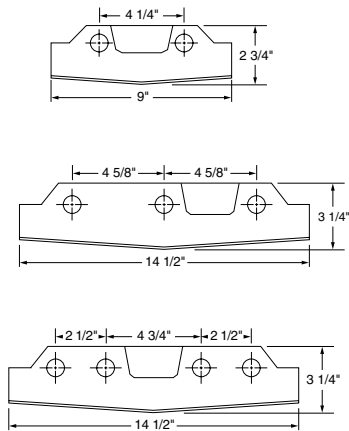
**SY920 Series Ordering Information**

Series	# Lamps	Lamp Type
<b>SY920</b> = prismatic lens (standard)	<b>2</b>	<b>14</b> = 14W 24" T5
<b>SW920</b> = smooth white lens	<b>3</b>	<b>17</b> = 17W 24" T8
	<b>4</b>	<b>20</b> = 20W 24" T12
	<b>22</b> = Tandem, 4 lamps	<b>24</b> = 24W 24" T5HO
		<b>25</b> = 25W 36" T8
		<b>28</b> = 28W 48" T5
		<b>32</b> = 32W 48" T8
		<b>40</b> = 34 or 40W 48" T12
		<b>54</b> = 54W 48" T5HO

Options	Ballast	Switching	Voltage
<b>SR</b> = Specular reflector	<b>B5</b>	<i>For 3 and 4 lamp units</i>	<b>UNV</b> = 120-277V
<b>ELS1</b> = Emergency Lighting (low lumens)	<b>B11</b> = Electronic T8	<i>Blank</i> = dual ballasts	<b>120</b> = 120V
<b>ELS2</b> = Emergency Lighting (medium lumens)	<b>B11HP(x)</b> = HPT8*	<b>3L</b> = (1) 3-lamp ballast	<b>277</b> = 277V
<b>ELS3</b> = Emergency Lighting (high lumens)	<b>B12</b> = Electronic T5	<b>4L</b> = (1) 4-lamp ballast	
<i>NOTE: 3 lamp models require low profile emergency ballast</i>	<b>B22</b> = LPF T8/T12	<i>For 2 lamp units</i>	
		<b>Blank</b> = single ballast	
		<b>2/1L</b> = (2) 1-lamp ballasts	

\*CEE listed T8; specify (L)ow, (N)ormal, or (H)igh ballast factor. Contact factory for NEMA Premium.

**Dimensions**



**Accessories**

- CR** = Continuous row mounting band
- STBK** = Stabilizer Bracket Kit