

TEP94



**Housing**

Die-formed heavy gauge steel with high-gloss, baked white enamel finish over rust inhibiting phosphate coat. Access plate providing two KOs and ground screw.

**Shielding**

Specular aluminum parabolic louver, cell size nominal 2" deep, 8" wide. Installs to housing with torsion springs; access from either side. Choice of 16 cell or 12 cell.

**Electrical**

Fully wired for UNV 120-277V, 50-60Hz operation with thermally protected, automatic resetting Class P, sound rated A ballast as standard unless otherwise specified. UL listed.

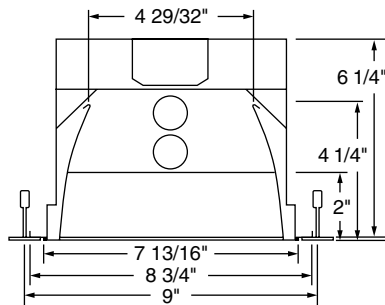
**Mounting**

Lay-in grid ceiling.

**TEP94 Series Ordering information**

Series	Lamps	Configuration	Cell Config
<b>TEP94</b> = 9" x 48" Lay-in 2" deep louver blade, nominal 8" wide	<b>132</b> = (1) 32W 48" T8 <b>232</b> = (2) 32W 48" T8	<b>O/U</b> = Over/under stacked lamps (delete for single lamp model) Specify switching.	<b>12C</b> = 12 cells <b>16C</b> = 16 cells

**Dimensions**



Options	Ballast	Switching	Voltage
<b>ELS1</b> = Emergency Lighting (low lumens) <b>ELS2</b> = Emergency Lighting (medium lumens) <b>ELS3</b> = Emergency Lighting (high lumens)	<b>B11</b> = Electronic T8 <b>B11HP(x)</b> = HPT8* <b>D</b> = Dimming (specify ballast)	<i>For 2 lamp units</i> Blank = single ballast (standard) <b>2/1L</b> = (2) 1-lamp ballasts	<b>UNV</b> = 120-277V <b>120</b> = 120V <b>277</b> = 277V

\*CEE listed T8; specify (L)ow, (N)ormal, or (H)igh ballast factor. Contact factory for NEMA Premium.