



**Housing**

Marine Grade A heavy-gauge aluminum with gasketing for maximum corrosion resistance. Models with painted parts receive high-gloss baked enamel applied after pre-treatment to ensure superior paint adhesion and rust resistance. Fixture housing is white. V501A aluminum back box has a white finish.

**Shielding**

High-impact polycarbonate for remarkable impact strength.

**Electrical**

Incandescent fixtures have medium base socket. Fluorescent models are wired for 120V, 60Hz operation. UL listed, wet location: 60W max., damp location: ceiling - 60W max., wall - 75W max.

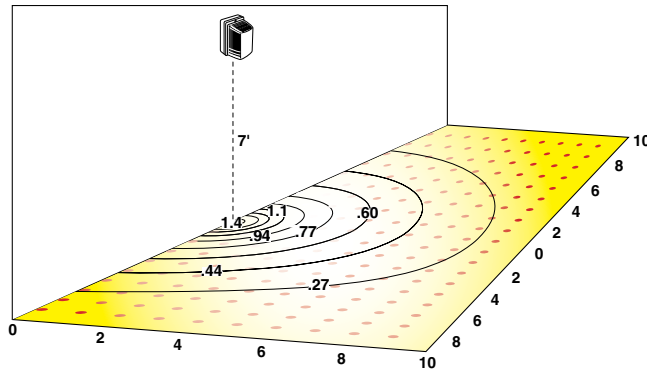
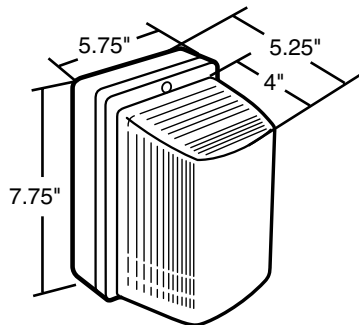
**Mounting**

Incandescent base up wall mount. See individual models for ratings for ceiling mount.

**V5000** marine Grade A aluminum housing keeps out moisture, preventing rust, and also promotes longer lamp life and longer ballast life due to better heat dissipation and cooler operating temperatures. The long life span of the ballast on TT models results in lower maintenance costs. 4" deep models meet ADA requirements.



**Dimensions**



Horizontal Illuminance Analysis: Model V5014A  
Scale and Surface: .25" to 1' (1' Grid)  
Units: Footcandles

**V5000 Series Ordering Information**

Series	Lamp Type	Housing	Voltage
V50	00 = (1) 60W or 75W A19	A = Aluminum (standard)	120 = 120V
	07 = (1) 7W CFL		277* = 277V
	14 = (2) 7W CFL		

\*Back box may be required for 277V models

Options	Accessories
MS = Maximum security (Tamperproof screws) W = White polycarbonate lens L1 = Lamps	V501A = Aluminum back box for 1/2" conduit, white TSD = Tamper-proof screwdriver