



Housing

Marine Grade A heavy-gauge aluminum with gasketing for maximum corrosion resistance. Models with painted parts receive high-gloss baked enamel applied after pre-treatment to ensure superior paint adhesion and rust resistance. Fixture housing is white. All units are Maximum Security (tamperproof screws).

Shielding

High-impact polycarbonate for remarkable impact strength.

Electrical

Incandescent fixtures have medium base socket. Fluorescent models are wired for 120V, 60Hz operation. UL listed, wet location.

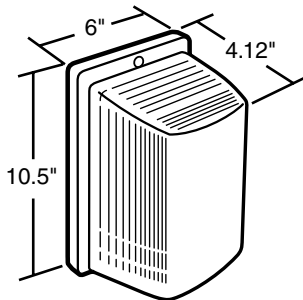
Mounting

Incandescent base up wall mount. See individual models for ratings for ceiling mount.

V6000 marine Grade A aluminum housing keeps out moisture, preventing rust, and also promotes longer lamp life and longer ballast life due to better heat dissipation and cooler operating temperatures. The long life span of the ballast on CFL models results in lower maintenance costs. New design features Quad lamp models.



Dimensions



V6000 Series Ordering Information

Series	Lamps	Housing	Voltage
V6	009 = (1) 9W CFL	A = Aluminum (standard)	120 = 120V
	018 = (2) 9W CFL		277 = 277V
	013 = (1) 13W CFL		
	026 = (2) 13W CFL		
	018Q = (1) 18W Quad		
	100 = Max 100W A		

Options	Accessories
MS = Maximum security (Tamperproof screws)	TSD = Tamper-proof screwdriver
L1 = Lamp	