

50 - 150W



Lamp Included

Designed for 12 to 18 foot mounting heights, the **WSM Wallpack** efficiently lights walkways, building exteriors, loading docks, bridges and most security areas with a wide light distribution.

40°C Ambient Rated



HOUSING / LENS / OPTICS The bronze die-cast aluminum housing, thick prismatic glass refractor and stainless steel hardware together make the WSM Series resistant to weather and vandalism. Both the door and prismatic glass lens utilize weatherproof silicone gasketing to seal out contaminants.

LAMPS / GENERATOR / BALLAST The WSM Series comes standard with a medium base HID lamp. Induction lamp is a tubular rectangular induction system mounted to a heavy duty heat sink bracket for efficient cooling.

The 50-150W pulse start metal halide fixtures utilize a multi-tap high reactance ballast. HPS fixtures can be ordered with a 120V NPF reactor ballast or a multi-tap high reactance HPF ballast. 120V reactor ballasts can be ordered with optional HPF. 150W high pressure sodium fixtures are also available with 480V ballasts. Induction electronic generator/ballast is 120- 277VAC, 50/60 Hz.

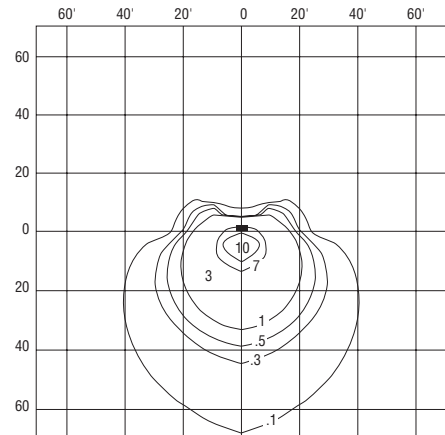
ACCESS / WIRING The side-hinged door opens easily using two captive stainless steel screws to provide easy access to internal components. Wiring options include mounting over a 4" recessed junction box or surface mounting using convenient conduit entries located on side and bottom of fixture. Additional knockouts are provided for optional photocell.

MOUNTING OPTIONS The recommended wall mounting height is 12' to 18'.

PHOTOMETRIC DATA

175W PSMH Wallpack at 15' mounting height.

(Isofootcandle Plots)

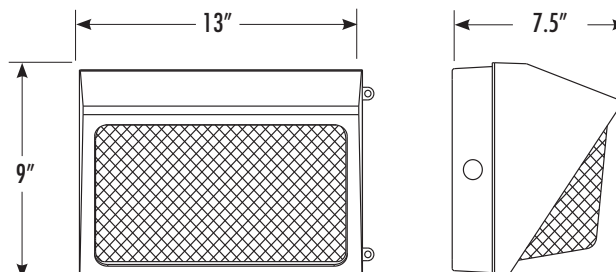


WSM Ordering Information

SERIES	MOUNTING	LIGHT SOURCE	LAMP WATTAGE	VOLTAGE	OPTIONS
WSM	0 = Wall	1 = Induction 3 = CFL 5 = HPS 8 = PSMH (Enclosed Rated)	04 = 40W Induction 05 = 50W HPS, PSMH 07 = 70W HPS, PSMH 10 = 100W HPS, PSMH 15 = 150W HPS 26 = 26W CFL 32 = 32W CFL 42 = 42W CFL 52 = (2) 26W CFL 64 = (2) 32W CFL 84 = (2) 42W CFL	1NPF = 120V Normal Power Factor (HPS only) 1HPF = 120V High Power Factor (HPS only) M = 4-Tap, HPS/PSMH (50W, 70W, 150W) (120, 208, 240, 277VAC 60Hz, Tapped @ 277) 5 = 480V (150W HPS only) M5 = 5-Tap (120, 208, 240, 277, 480V 60Hz, Tapped @ 480V) D = Dual Tap 120V/277V (CFL & 100W PS only) U = 120-277V 50/60Hz <i>Photocell Option (Designate voltage):</i> 1 = 120V (with M, U, or D ballasts) 2 = 277V (with M, U, or D ballasts) 3 = 208V (with M, U, or D ballasts) 4 = 240V (with M, U, or D ballasts)	WT = White Housing BK = Black Housing B = Button Photocell (Designate voltage)

ACCESSORIES

- WGM = Wire Guard
- PGM = Polycarbonate Guard (vandal shield)
- WSM-TS = Tamperproof Screws
- WSM-TSD = Tamperproof Screws & screwdriver
- Glare Shields*
- WSM-GS = Side Cutoffs
- WSM-GSF = Full Cutoff



Approx. ship weight 15 lbs.

SPECIFICATIONS SUBJECT TO CHANGE.

