

DTD LED

led dusk to dawn

Comparable to 70 – 250W PSMH

2000 Lumens • 25W

3500 Lumens • 38W

7460 Lumens • 57W



DTDHOLED70L



DTDHOLED35L



DTDLED25





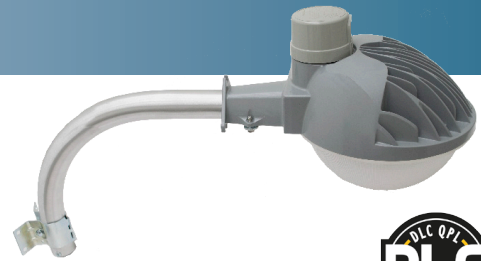
Rugged, Reliable Performance

Ideal for use in security, driveway, parking, walkway, stair, work area, and other utility applications

Simkar's Dusk-to-Dawn LED fixtures are built to withstand rugged outdoor environments and operate in all weather conditions while providing bright, reliable

light. With up to an 80,000 hour operating life (L70), the DTD LED luminaires will perform reliably for many years, providing energy savings with excellent performance.

Very High Output *FLAGSHIP MODEL* DTDHOLED70L



- Consumes 57W; up to 79% energy savings vs. traditional HID sources
- Light output 7460 lumens; replaces up to 250W PSMH
- 60,000 hour operating life (L70)
- Includes 10kV surge protector

- Includes 120V-277V twist lock photocell
- Instant-on operation after power interruption
- C-UL-US listed wet location
- DesignLights Consortium™ Qualified, DLC 4.0/4.1 to premium level

HOUSING Rugged die-cast aluminum housing with powder coat gray finish. Heat dissipating fins provide increased surface area thermal management. Internal slip fitter for wall or pole mount.

ACCESS / WIRING Through-arm wiring enables mounting directly to the wall or via included 24" (11" standoff) aluminum arm.

LEDS 60,000 hour operating life (L70). Consumes 57W with delivered light output of 7460 lumens, 5000K color temperature, >70 CRI. Light engine consists of LED chip on board (COB) array mechanically secured via a trim ring and mounted to aluminum heat sink.

MOUNTING Direct surface mount using 1/4" slots via lag bolts (included), with standard 1-5/8" to 2 5/8" diameter pole mount, or included 24" (11" standoff) aluminum arm.

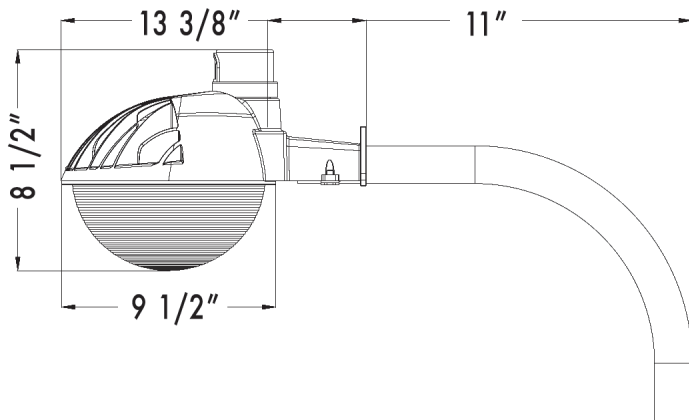
OPTICS Enclosed and gasketed prismatic polycarbonate lens and aluminum reflector produce 120 degree beam spread; type V distribution.

PHOTOCELL Replaceable 120V-277V NEMA twist & lock photocell included.

ELECTRICAL Power supply is 120V-277V, 0-10V dimmable, power factor >0.9, with output current of 1400mA. Integral 6kV surge protection. Also includes field replaceable 10kV surge protector. Power supply is mounted directly to heavy gauge aluminum plate for cooler fixture operation and longer life. 120V-277V NEMA twist lock photocell. The DTDHOLED70L is designed to operate in temperatures of -40°F (-40°C) to 113°F (45°C).

LISTINGS C-UL-US Listed wet location. DesignLights Consortium™ Qualified, DLC 4.0/4.1, meets premium level.

WARRANTY 5 year limited warranty.



High Output

DTDHOLED35L

- Consumes 38W, up to 80% energy savings vs. traditional HID sources
- Light output 3504 lumens, replaces up to 175W PSMH
- 50,000 hour operating life (L70)
- Includes 120V-277V twist lock photocell
- 4000K color temperature, >80 CRI
- Instant-on operation after power interruption
- C-UL-US listed wet location
- DesignLights Consortium™ Qualified, DLC 4.0/4.1



HOUSING Rugged die-cast aluminum housing with powder coat gray finish. Die-cast heat dissipating fins. Internal slip fitter.

LEDS 50,000 hour operating life (L70). Delivered light output of 3504 lumens (38W), 4000K, >80 CRI. LEDs are LM-80 tested.

OPTICS Enclosed prismatic acrylic lens and internal polycarbonate reflector to produce 80° beam spread, type V distribution.

ELECTRICAL Power supply is 120-277V, power factor >0.9, with output current of 930mA. The DTDHOLED35L is designed to operate in temperatures of -22°F (-30°C) to 104°F (40°C).

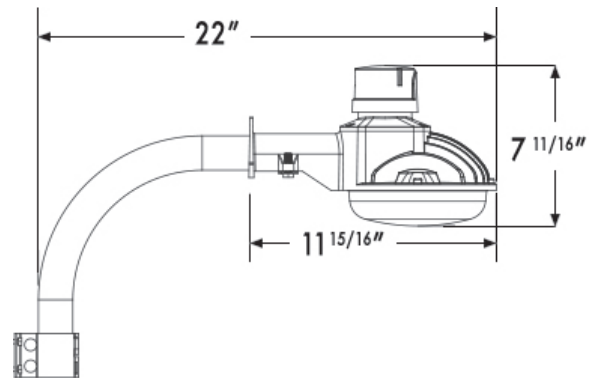
ACCESS / WIRING Through-arm wiring enables mounting directly to the wall or via included 24" (11" standoff) aluminum arm.

MOUNTING Direct surface mount using 1/4" slots via lag bolts (included), with standard 1-5/8" to 2 5/8" diameter pole mount, or included 24" (11" standoff) aluminum arm.

PHOTOCELL Replaceable 120V-277V NEMA twist & lock photocell included.

LISTINGS C-UL-US Listed wet location. DesignLights Consortium™ Qualified, DLC 4.0/4.1.

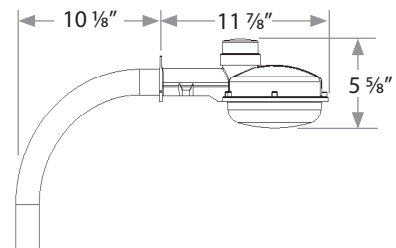
WARRANTY 5 year limited warranty.



Standard Output

DTDLED25

- Consumes 24W, up to 74% energy savings vs. traditional HID sources
- Delivered light output of 2000 lumens (replaces up to 70W PSMH)
- 80,000 hour operating life (L70)
- 4100K color temperature, >80 CRI
- Instant-on operation after power interruption
- C-UL-US listed wet location



HOUSING Rugged die-cast aluminum housing with powder coat gray finish. Cast heat dissipating fins. Internal slip fitter.

LEDS 80,000 hour operating life (L70). Delivered light output up to 2007 lumens (24W), 4000K, >80 CRI. LEDs are LM-80 tested.

OPTICS Enclosed prismatic acrylic lens.

ELECTRICAL Power supply is 120-277V, power factor >0.9, with output current of 580mA. Integral 1kV surge protection. Operation is 120V only when used with the included 120V NEMA twist & lock photocell. The DTDLED25 is designed to operate in temperatures of -22°F (-30°C) to 104°F (40°C).

ACCESS / WIRING Through-arm wiring enables mounting directly to the wall or via included 24" (11" standoff) aluminum arm.

MOUNTING Direct surface mount using 1/4" slots via lag bolts (included), with standard 1-5/8" to 2 5/8" diameter pole mount, or included 24" (11" standoff) aluminum arm.

PHOTOCELL Replaceable 120V NEMA twist & lock photocell included.

LISTINGS C-UL-US Listed wet location.

DTDHOLED70L Wide Distribution High Output LED Dusk to Dawn Configuration

SERIES	LUMENS*	CCT	VOLTAGE
DTDHOLED	70L = 7460 Lumens (57W)	50 = 5000K	U1 = Universal 120V-277V

* Nominal. See performance data for actual input power.



Performance Data

Model	Input Power	Efficacy (lm/W)	Light Output*	Mounting Ht.**	Equivalent HID**	Operating Temperature
DTDHOLED70L50U1	56.73W	131.5	7460 lumens	Up to 25'	Up to 250W PSMH	-40°F (-40°C) to 113°F (45°C)

* Delivered lumens

** Consult a lighting engineer to meet specific requirements

DTDHOLED35L High Output LED Dusk to Dawn Configuration

SERIES	LUMENS*	CCT	VOLTAGE
DTDHOLED	35L = 3500 Lumens (38W)	40 = 4000K	U1 = Universal 120V-277V

* Nominal. See performance data for actual input power.



Performance Data

Model	Input Power	Efficacy (lm/W)	Light Output*	Mounting Ht.**	Equivalent HID**	Operating Temperature
DTDHOLED35L	37.87W	92.6	3504 lumens	Up to 20'	Up to 250W PSMH	-22°F (-30°C) to 104°F (40°C)

* Delivered lumens

** Consult a lighting engineer to meet specific requirements

DTDLED25 Standard Output LED Dusk to Dawn Configuration

SERIES	INPUT POWER*
DTDLED	25 = 25W

* Nominal. See performance data for actual input power.



Performance Data

Model	Input Power	Efficacy (lm/W)	Light Output*	Mounting Ht.**	Equivalent HID**	Operating Temperature
DTDLED25	23.7W	84.6	2007 lumens	Up to 15'	Up to 70W PSMH	-22°F (-30°C) to 104°F (40°C)

* Delivered lumens

** Consult a lighting engineer to meet specific requirements

