



**XT Specification Grade Troffers** are equipped with 4 1/2" deep housing with 2 5/16" lens-to-lamp spacing to balance light diffusion and reduce lamp image.

**Housing**

High quality 22 gauge CRS construction. Unit is 4 1/2" deep. All metal parts receive durable high gloss powder coat post painted finish over rust inhibiting phosphate coat. Minimum reflectance is 90%.

**Shielding**

Clear acrylic prismatic lens with .125" deep cut #12 pattern installed in steel door with overlapping mitered corners, T-type hinges and positive-fit cam latches. Light traps and gasketing installed.

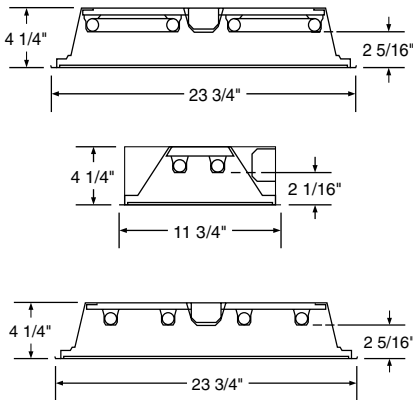
**Electrical**

Fully wired for UNV 120-277V, 50-60Hz operation with thermally protected, automatic resetting Class P, sound rated A ballast as standard unless otherwise specified. UL listed.

**Mounting**

Lay-in troffer for NEMA type G T-bar ceilings. Integral earthquake clips. GCK kit available for sheetrock ceilings (page 91).

**Dimensions**



**XT Series Ordering Information**

Series	Diffuser	Depth	Size	# Lamps	Lamp Type
XT = Powder-coat, lay-in	K = .125 clear prismatic acrylic (standard)	P = 4 1/2"	124 = 1x4	2	32 = (2) 32W 48" T8
	B = .125 clear prismatic polycarbonate		242 = 2x2	3	32U = 32W U6" T8*
	U = .156 prismatic acrylic		244 = 2x4	4	40TT = 40W 22" TT
	Y = .090 prismatic acrylic				For T5, Contact Factory

\* For 1 5/8" please specify

Options	Ballast	Voltage	Switching
SR = Specular Reflector	B11 = Electronic T8	UNV = 120-277V	For 3 and 4 lamp units
ELS1 = Emergency Lighting (low lumens)	B11HP(x) = HPT8*	120 = 120V	Blank = dual ballasts
ELS2 = Emergency Lighting (medium lumens)	B14 = Electronic TT	277 = 277V	3L = (1) 3-lamp ballast
ELS3 = Emergency Lighting (high lumens)			4L = (1) 4-lamp ballast
			For 2 lamp units
			Blank = single ballast
			2/1L = (2) 1-lamp ballasts

\*CEE listed T8; specify (L)ow, (N)ormal, or (H)igh ballast factor. Contact factory for NEMA Premium.

Options	Accessories
L = Lamps Installed (Specify Lamps) (U-lamp and TT lamps not installed)	EC = Earthquake clips, 4-pack
FL4 = 3/8", 6' flex with two #18, one ground and two connectors	
FL5 = 3/8", 6' flex with three #18, one ground and two connectors	
LG = Lens Gasketing	
LDG = Lens and Door Gasketing	
LDFG = Lens, Door, and Frame Gasketing	
M = Master; includes 9' intertie and snap-in connector	
S = Satellite; includes snap-in connector	